

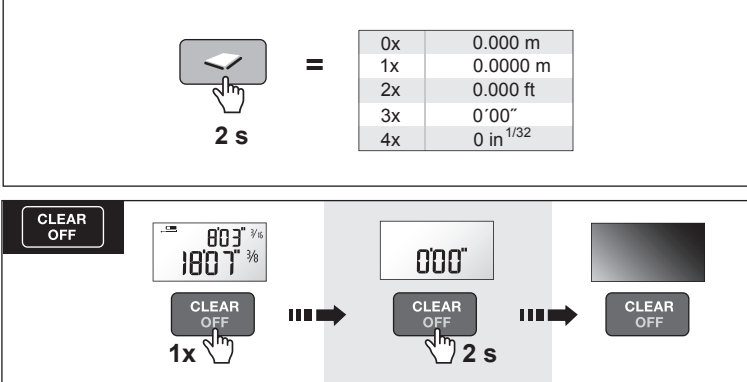
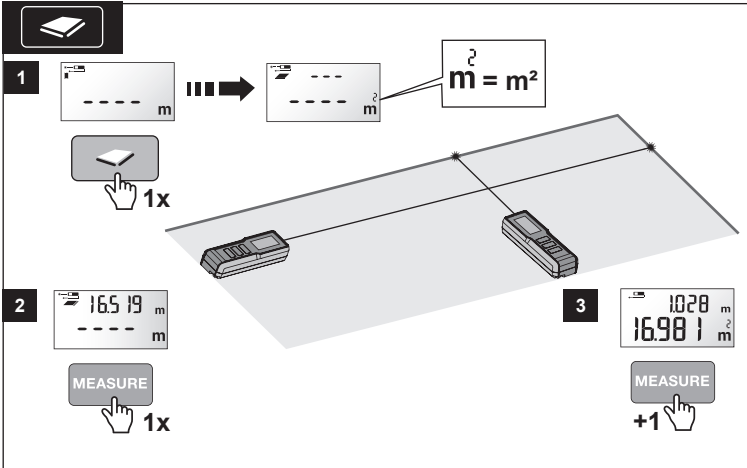
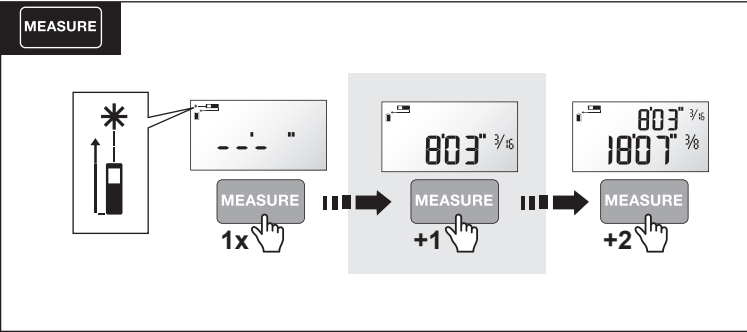


Laser Distance Meters 417D/424D

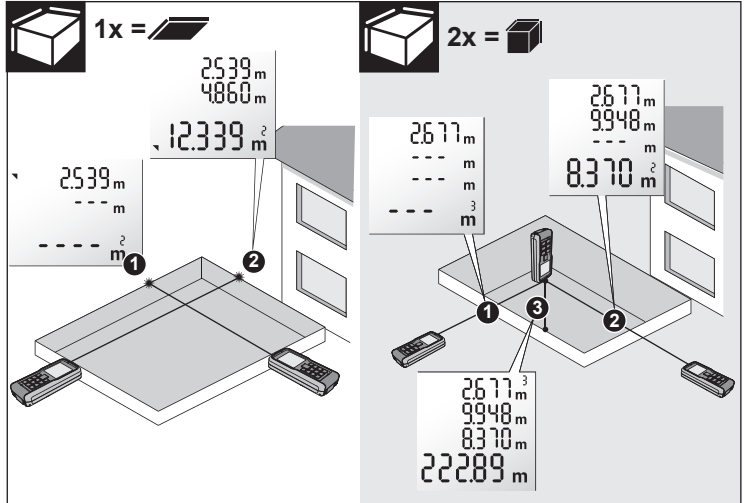
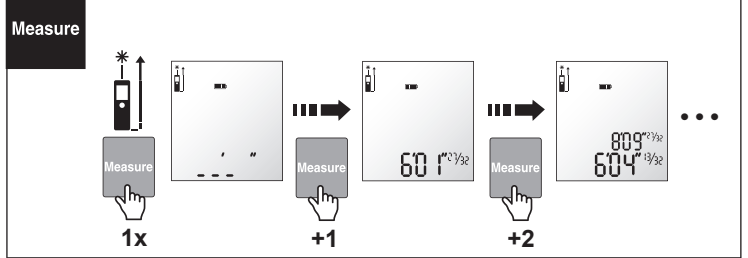
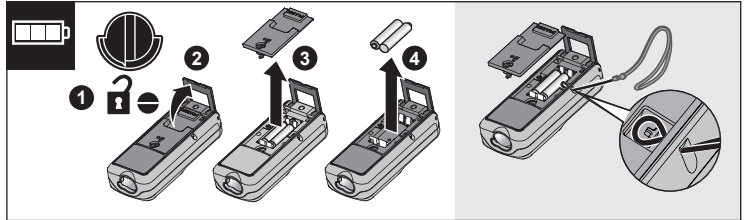
www.fluke.com



417D



424D



% 1x =

408°	— α
5.204 m	— X
0.032 m	— Y
4.827 m	— Z

% +1 =

- 408°	— α
6.932 m	— X
3.02 m	— β
9.827 m	— Y

% +1 =

000°

23.1°

- YES
+ NO

CAL

90 r^{13/16}

Clear Off

8370 _m 22289 _m	Clear Off 1x	8.370 _m	Clear Off +1
		0.000 _m	Clear Off 2 s
			Mem.
			Clear Off 2 s

m in ft

2x

+1

Auto-detect

m in ft 2s = 0.000 m 0.00 ft
= 0.000⁰ m 0'00" ^{1/32}"
0.00 m 0.000 in 0 in ^{1/32}

m in ft + =

m in ft + =

% 1x =

α = ?

3.265 m
3.283 m
3.488 m
4.832 m ²

645°
10036 m
4.832 m ²

Mem.

1x

+ / -

1 ... 20

Mem. 2 s

90 r^{13/16}

Clear Off + **Mem.** 2 s

000°

% +1 =

% +1 =

% +1 =

% +1 =

a=b

a≠b